

SC MULTI-CYLINDER HYDRAULIC CONE CRUSHER

SC多缸液压圆锥破碎机



破碎行程更长、破碎比更大
最终的产品粒度组成更稳定、粒型更优
产量高、能耗低

Longer crushing stroke and larger crushing ratio
The final product particle size composition is more stable and the grain shape is better
High output and low energy consumption

设备简介 Introduction

SC系列液压圆锥破碎机的腔型具有产量高、能耗低的特点。在同样的动锥直径下，破碎行程更长、破碎比更大。在满腔情况下更能利用层压破碎作用，使最终的产品粒度组成更稳定、粒型更优。

自动化的液压过铁释放可立即排放不可破碎物料，双向过铁释放液压缸能够让铁块等不可破碎物料通过破碎腔，而不致卡死停机，过铁释放后能自动返回生产时排料口尺寸。液压清腔系统大的垂直行程可使堵塞物料轻松落下，只需一个按钮即可实现迅速清腔，极大地减少甚至避免了人工清腔的工作量，缩短停机时间，因而最大限度地提高了生产效率。

简单可靠的定锥锁固结构，让破碎机在工作时不会因为环境的振动导致锁紧失效和损坏您的机器，灵活的液压马达和推动缸设计可使您方便地进行排料口的调整。该系列设备采用更方便的衬板固定方式，锁固更可靠，无需填料，极大缩短了更换时间。并且只需更换动定衬板，即可得到不同腔型，实现了柔性化，因而让您的投入得到最大的回报。

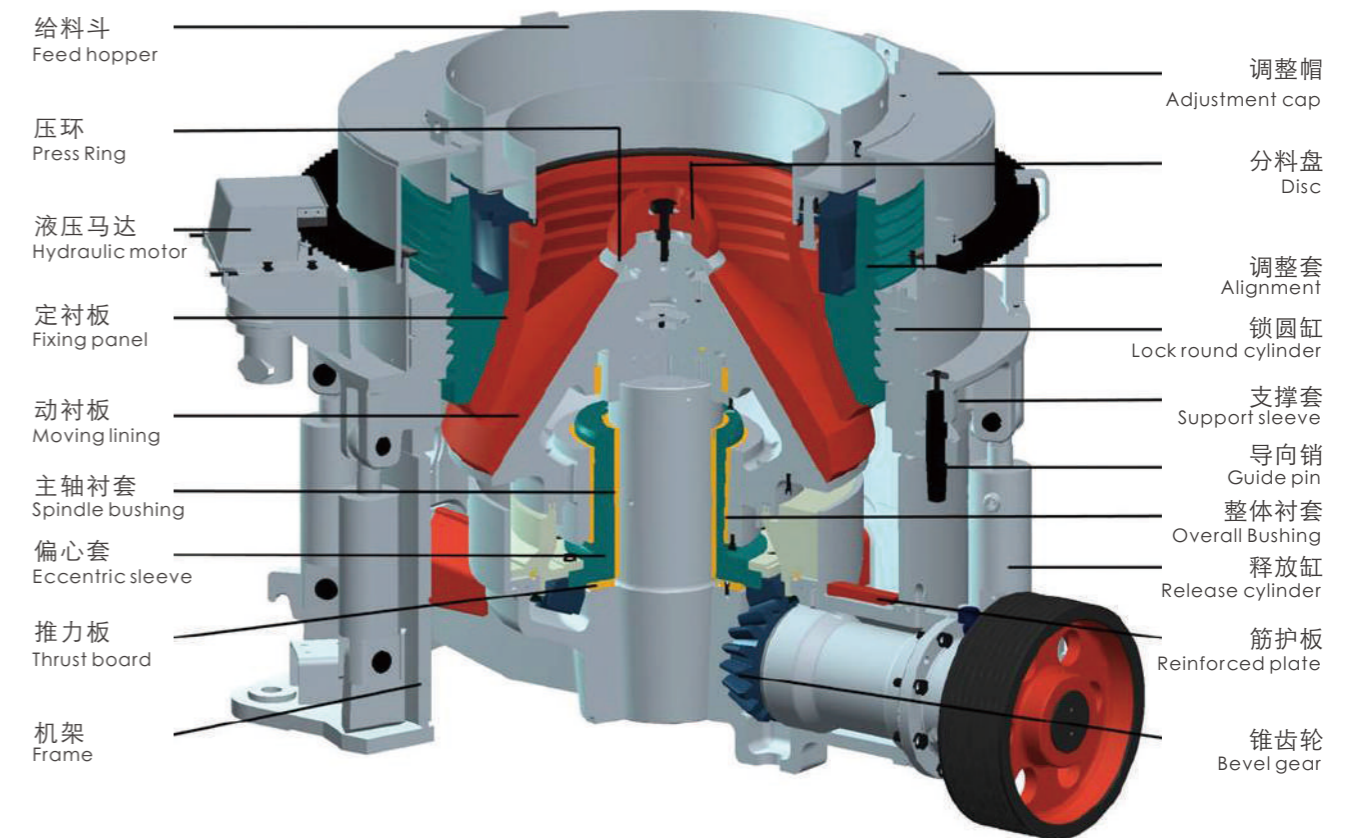
The cavity type of SC series hydraulic cone crusher has the characteristics of high output and low energy consumption. At the same moving cone diameter, the breaking stroke is longer and the crushing ratio is larger. In the case of full cavity, the laminating crushing effect can be utilized more, so that the final product particle size composition is more stable and the grain shape is better.

The automatic hydraulic iron release can immediately discharge non-breakable materials. The two-way iron-releasing hydraulic cylinder can make unbreakable materials such as iron blocks pass through the crushing chamber without causing a deadlock. After the iron is released, it can automatically return to the discharge opening size. The large vertical stroke of the hydraulic clearing system allows the plugging material to be easily dropped, and the quick clearing chamber can be realized with one button, which greatly reduces or even avoids the labor of the manual clearing chamber and shortens the downtime, thereby maximizing production effectiveness.

The simple and reliable fixed cone locking structure allows the crusher to work without causing locking failure and damage to your machine due to environmental vibration. The flexible hydraulic motor and push cylinder design allows you to easily adjust the discharge opening. This series of equipment adopts more convenient lining fixing method, which makes the locking more reliable and requires no filler, which greatly shortens the replacement time. And you only need to change the moving lining to get different cavity types and achieve flexibility, so you can get the most return.



结构组成 Structural Composition



工作原理 Operating Principle

多缸液压圆锥破碎机是通过电动机的旋转带动带轮或联轴器，传动轴和圆锥部在轴心线下使偏心轴做周期性旋摆运动。在矿石从料口进入破碎腔后因受到偏心轴和轧白壁的相互冲击挤压、研磨、揉搓从而产生破碎的作用。液压保险系统能在机器发生过铁故障或者闷车现象时通过液压将支撑套和定锥部顶排除出故障物，在起到很好的保险作用的同时大大的降低了维修率及提高生产效率。

应用领域: 广泛用于矿山、冶金、建材等行业，能破碎各种坚硬的石料和岩石。

适用物料: 适用于破碎各类中硬以上物料的中碎和细碎破碎。

The multi-cylinder hydraulic cone crusher drives the pulley or the coupling, the transmission shaft and the conical portion to rotate the eccentric shaft periodically under the axial line by the rotation of the motor. After the ore enters the crushing chamber from the material inlet, it is crushed by the mutual impact of the eccentric shaft and the rolling wall. The hydraulic safety system can remove the faulty parts of the support sleeve and the fixed cone part by hydraulic pressure when the machine has an iron fault or a boring phenomenon, which greatly reduces the maintenance rate and improves the production efficiency while playing a good insurance function.

Application: Widely used in mining, metallurgy, building materials and other industries, can break all kinds of hard stone and rock.

Applicable materials: It is suitable for crushing medium and fine crushing of various medium and hard materials.

产品优势

Product Advantages

1. 高强度合金钢精铸、精锻加工而成，坚固耐用，适合中硬以上物料的破碎。
2. 可以在恒定的排料口下进行生产，避免单缸主轴在生产中上下浮动引起排料口的变化。
3. 采用高能层压理论，输入更大的能量，产量更高，易损件相对磨损少，产品粒形更趋于立方体。
4. 定轴式设计，主轴在运行过程中不动，可获得更大的装机功率，设备重量比传统圆锥大大降低。
5. 双向过铁释放液压缸能够让铁块通过破碎腔，液压清理破碎腔行程大。
6. 定锥衬板可对排料口进行准确调整，简化了衬板更换的工作量。
7. 定锥衬板靠楔块与定锥衬板上部的螺旋斜面配合，形成自锁，提高衬板的可靠性；动锥衬板由自锁式锁紧螺栓紧固。

1. High-strength alloy steel is made by precision casting and precision forging. It is durable and suitable for the crushing of medium and hard materials.

2. It can be produced under a constant discharge port to avoid the change of the discharge port caused by the single cylinder spindle floating up and down in production.

3. Using high-energy lamination theory, input more energy, higher output, less wear and tear of wearing parts, product grain shape tends to cube.

4. Fixed axis design, the spindle does not move during the operation, can obtain a larger installed power, the weight of the equipment is much lower than the traditional cone.

5. The two-way iron-releasing hydraulic cylinder can make the iron block pass through the crushing chamber, and the hydraulic cleaning of the crushing chamber has a large stroke.

6. The fixed cone lining can accurately adjust the discharge opening, which simplifies the workload of lining replacement.

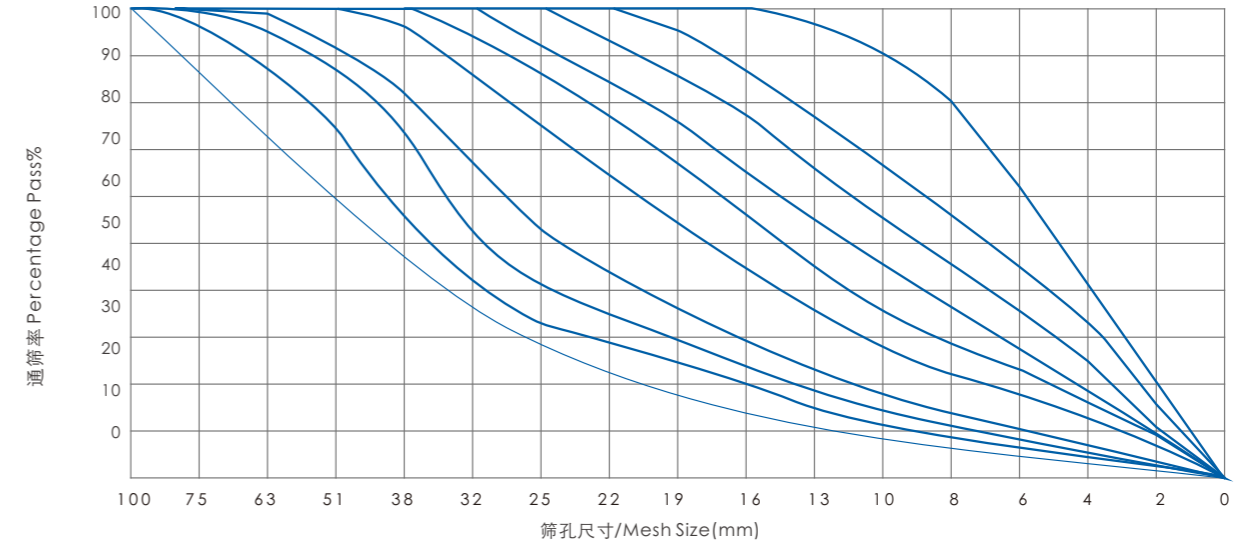
7. The fixed cone lining is matched with the spiral inclined surface of the fixed cone on the upper part of the fixed cone to form a self-locking to improve the reliability of the lining; the moving cone lining is fastened by a self-locking locking bolt.

8. Can provide greater load capacity.

粒度曲线

Particle Size Curve

粒度分布和生产能力与破碎机腔型、给料粒度、物料可碎性、泥土含量、水分含量等因素有关。



产品参数

Main Specification

型号 Model	最大给料尺寸 Max Feed Size (mm)	推荐排料口范围 Discharge Range (mm)	电机功率 Power Of Motor (kw)	生产能力(吨/小时)——开路, 闭边排料口(mm) CAPACITY (TANS/H)-Open Circuit, Closed Discharge (mm)										
				9	13	16	19	22	26	31	38	51		
SC150C	165	22-31	90											
SC150M	135	13-26		30-41	50-66	75-86	90-102	100-123	110-132	130-158				
SC150F	55	9-19												
SC200C	180	22-31	160											
SC200M	140	13-31		55-62	70-93	100-140	130-170	175-220	175-220	195-230				
SC200F	60	9-22												
SC280C	250	26-51	200											
SC280M	160	16-38		58-72	72-98	130-150	170-210	230-260	230-260	270-298	299-322	325-350		
SC280F	80	9-22												
SC400C	300	32-63	315											
SC400M	170	22-51		120-145	140-180	200-240	230-300	295-368	295-368	310-410	350-450	460-550		
SC400F	80	13-26												
SC600C	350	31-51	450											
SC600M	230	22-51		300	350	390	430	460	490	570	650			
SC600F	80	13-26		550	420	530	510	590	620	680	760	860		

注: 1.表中生产能力为开路生产。生产能力与破碎物料的给料方式、物理性能、破碎比其他组成等有关。
2.最小排料口以支撑套跳动为限。破碎物料的特性影响排料口的大小。

Note: 1. The production capacity in the table is open circuit production. The production capacity and the feeding mode, physical properties and crushing of the crushed materials are related to other components.
2. The minimum discharge opening is limited to the support sleeve. The characteristics of the broken material affect the size of the discharge opening.

注: 规格型号如有变动, 恕不另行通知。
Note: Specifications and models are subject to change without notice.